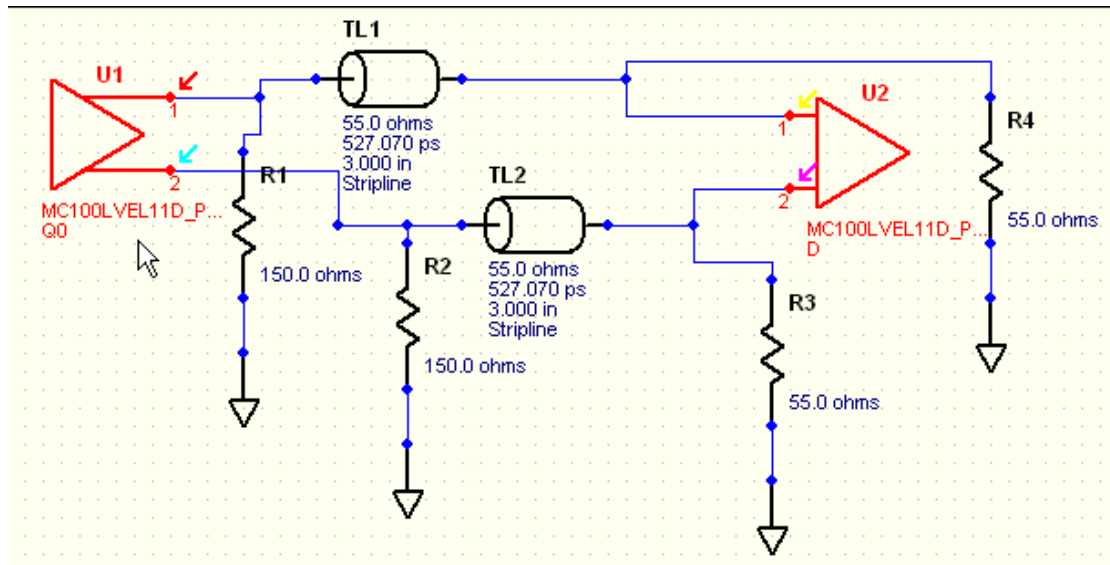


1. I used Model = MC100LVEL11D_PECL

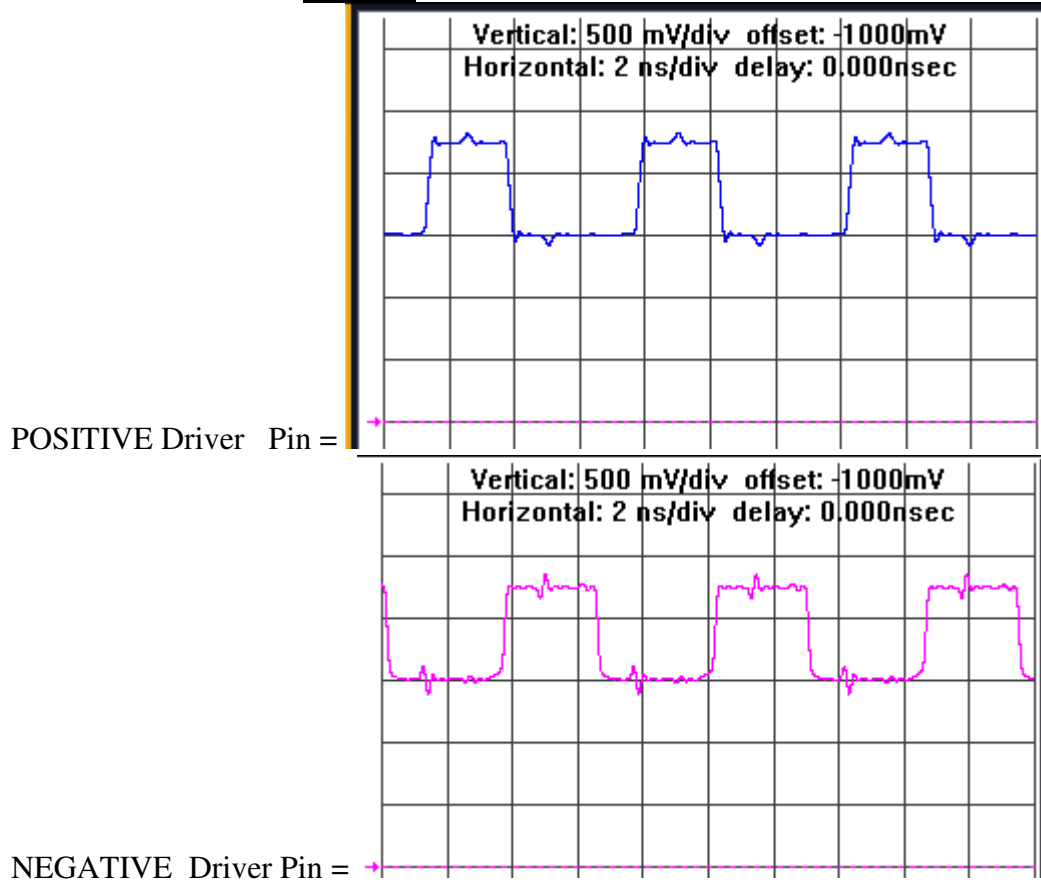


2. Waveforms for Pos and Neg are NOT the same:

The duty – Cycle of Neg and Pos output Buffers are NOT the same !!!

Why?

Waveforms at Buffers **Outputs** –



3. Diff Waveforms:

